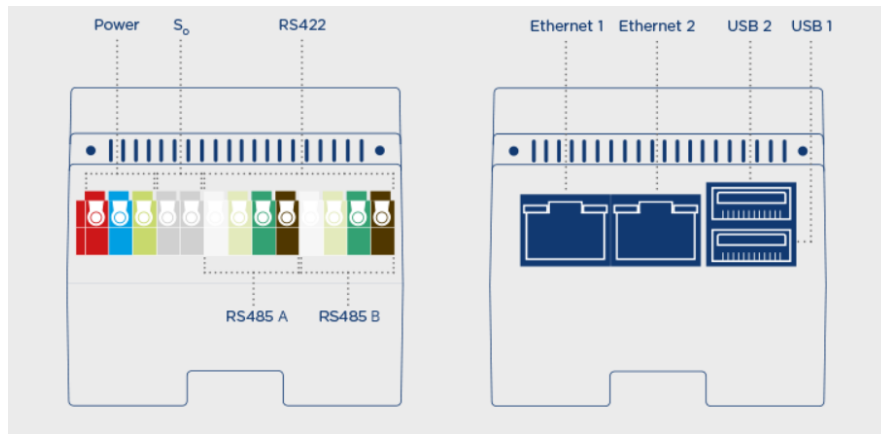


SolarLog BoxComm Quick Start Guide

1) Connect your laptop to SolarLog ETH2 port:

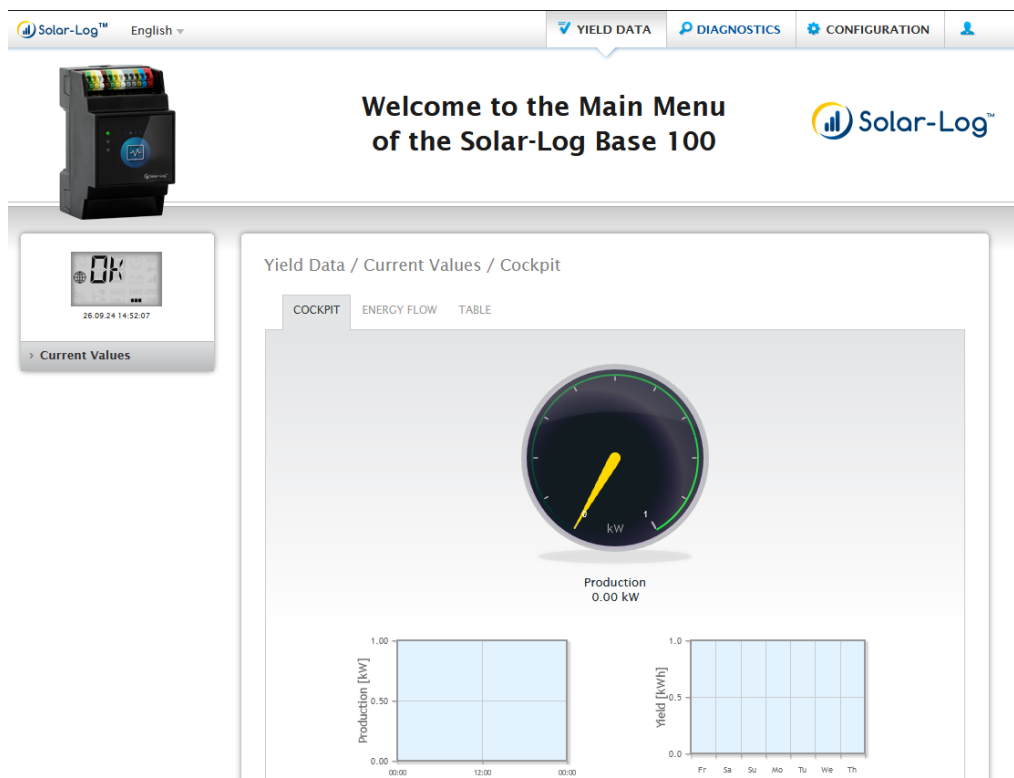


2) Set static IP address on your laptop as follows:

- IP address: 192.168.2.2
- Subnet Mask 255.255.255.0
- Gateway 192.168.2.1

Please refer to Microsoft Support (or other websites) about how to do this.

3) To enter the SolarLog Web interface (WebUI), type `http://192.168.2.1` into the URL field of your Internet Browser. The SolarLog starting page will appear:



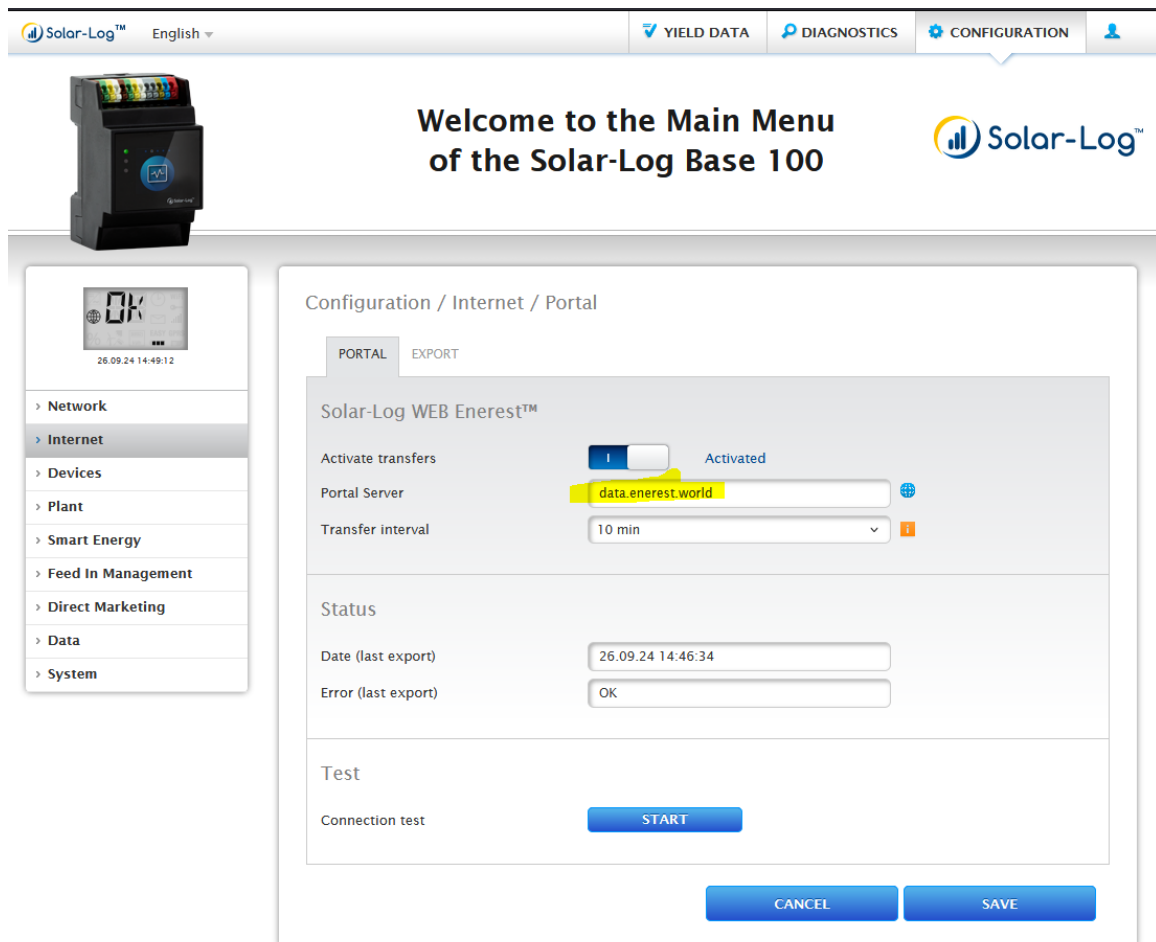
4) Proceed with SolarLog configuration by clicking on Configuration on the top right corner:

The screenshot shows the Solar-Log web interface. At the top, there is a navigation bar with 'Solar-Log™ English', 'YIELD DATA', 'DIAGNOSTICS', and 'CONFIGURATION' (highlighted in yellow). Below the navigation bar, there is a 'Welcome to the Main Menu of the Solar-Log Base 100' message and the Solar-Log logo. On the left side, there is a sidebar menu with options: Network, Internet, Devices, Plant, Smart Energy, Feed In Management, Direct Marketing, Data, and System. The main content area is titled 'Configuration / Network / Ethernet' and shows settings for 'Interface ETH 1' and 'Interface ETH 2'. For 'Interface ETH 1', the 'Obtain IP address automatically (DHCP)' is activated, and the IP address is set to 192.168.1.100, Subnet mask to 255.255.255.0, and Gateway to 192.168.1.1. For 'Interface ETH 2', the 'Enable interface' is also activated.

5) On the left side, select *Devices* and follow the three steps *Definition*, *Detection* and *Configuration*:

The screenshot shows the Solar-Log web interface. At the top, there is a navigation bar with 'Solar-Log™ English', 'YIELD DATA', 'DIAGNOSTICS', and 'CONFIGURATION' (highlighted in yellow). Below the navigation bar, there is a 'Welcome to the Main Menu of the Solar-Log Base 100' message and the Solar-Log logo. On the left side, there is a sidebar menu with options: Network, Internet, Devices, Plant, Smart Energy, Feed In Management, Direct Marketing, Data, and System. The 'Devices' menu is expanded, showing 'Definition', 'Detection', and 'Configuration' (highlighted in yellow). The main content area is titled 'Configuration / Devices / Definition / Interfaces' and shows settings for 'Interface Assignments'. There is a table with columns: Device class, Manufacturer, Type, and Interface. Below the table, there are 'CANCEL' and 'SAVE' buttons.

- 6) After that, ensure data transmission to the SolarLog WEB Enerest portal is active, by selecting Internet on the left side. Activate the corresponding button and specify the server in the Portal Server field. For the majority of the cases, server *data.enerest.world* has to be used:

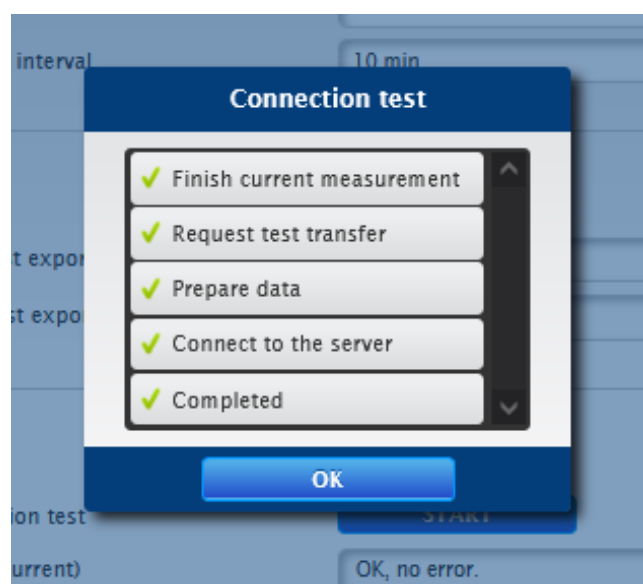


The screenshot shows the Solar-Log Base 100 configuration interface. The top navigation bar includes 'YIELD DATA', 'DIAGNOSTICS', and 'CONFIGURATION'. The main heading reads 'Welcome to the Main Menu of the Solar-Log Base 100'. On the left, a sidebar menu is open to 'Internet'. The main content area is titled 'Configuration / Internet / Portal' and contains the following settings:

- PORTAL** (selected) / EXPORT
- Solar-Log WEB Enerest™**
 - Activate transfers: Activated
 - Portal Server: (highlighted in yellow)
 - Transfer interval:
- Status**
 - Date (last export):
 - Error (last export):
- Test**
 - Connection test:

At the bottom right, there are 'CANCEL' and 'SAVE' buttons.

By clicking Start in the Test Field, all points must be green flagged:

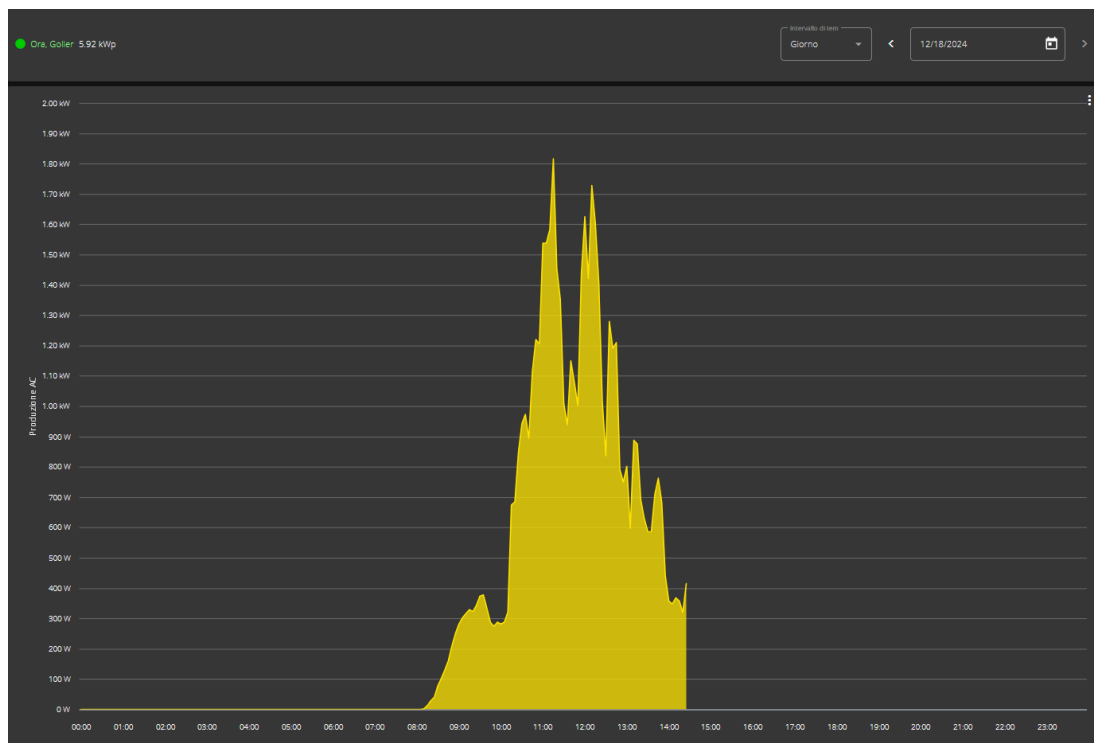


The screenshot shows a 'Connection test' dialog box with a list of five steps, each marked with a green checkmark:

- ✓ Finish current measurement
- ✓ Request test transfer
- ✓ Prepare data
- ✓ Connect to the server
- ✓ Completed

At the bottom of the dialog is an 'OK' button. The background shows the 'START' button from the previous screenshot.

7) Check the portal website, production data must be displayed:



Installation completed! Congratulations!